

# Marine IC 400 Drop In Ice Chest



## IC 400 Drop In Ice Chest

The IC 400 is designed using the highest quality materials and proven technology providing our customers with consistent quality.

### Marine IC 400 High Performance Drop In Ice Chest

- One inch molded polyurethane structural insulation on all sides and bottom
- 316L Stainless steel construction with or without sealed in high performance cold plate
- 15" x 22" model available with sealed in cold plate; 8 circuit post mix, 1/2" drain
- Chests with 8 circuit cold plate have 1/2" drain
- NSF approved sliding lids
- **Dispensing Solutions that *Pour More***



**LANCER**

lancercorp.com

# Marine IC 400

## Drop In Ice Chest

### SPECIFICATIONS

#### DIMENSIONS

Width: 22" (559 mm)  
Depth: 15" (381 mm)  
Height: 14.25" (362 mm)

#### FITTINGS

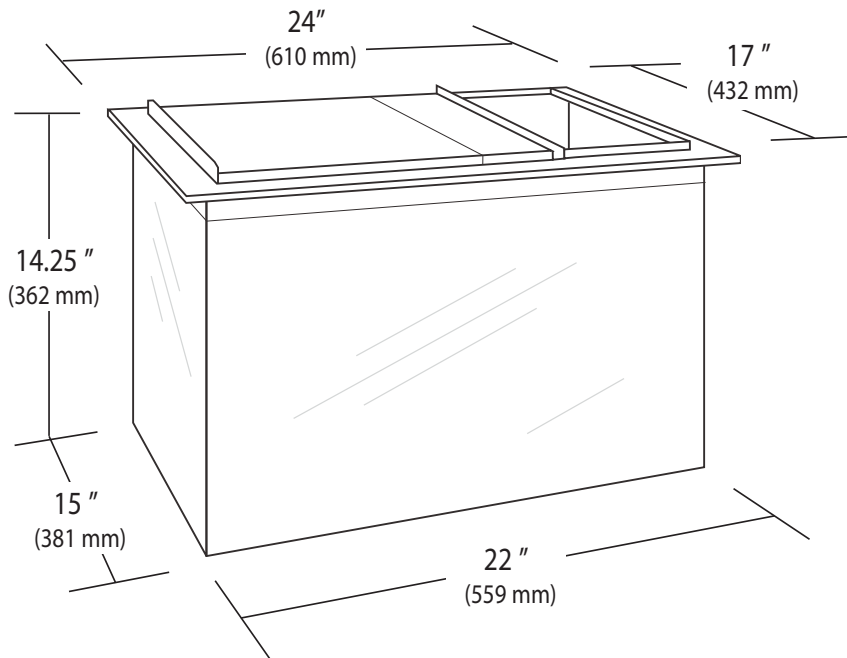
Counter cut-out should be 1/4" (6.35 mm)  
larger than dimensions

#### ICE CAPACITY

60 lbs (27.2 kg)

#### WEIGHT

Shipping: 90 lbs (40.8 kg)



#### Customer Service:

Should you require more information about our products, please do not hesitate to contact our customer service desk at [custserv@lancercorp.com](mailto:custserv@lancercorp.com).

#### Warranty:

For warranty specifics by product, contact your Lancer Sales Representative. Equipment design and/or specifications are subject to change without notice.

**Lancer Corp.** 6655 Lancer Boulevard · San Antonio, TX 78219  
210-310-7000 · 1-800-729-1500 · Fax: 210-310-7250

*Pour More*

**LANCER**

[lancercorp.com](http://lancercorp.com)

